


LEGEND

BXX-XX  = BORING LOCATION

BORING LOCATION PLAN
 INITIAL GEOTECHNICAL ENGINEERING INVESTIGATION
 FOR THE PROPOSED DIXON RUN SOLAR PROJECT IN
 JACKSON COUNTY, OHIO

Project No.
23897

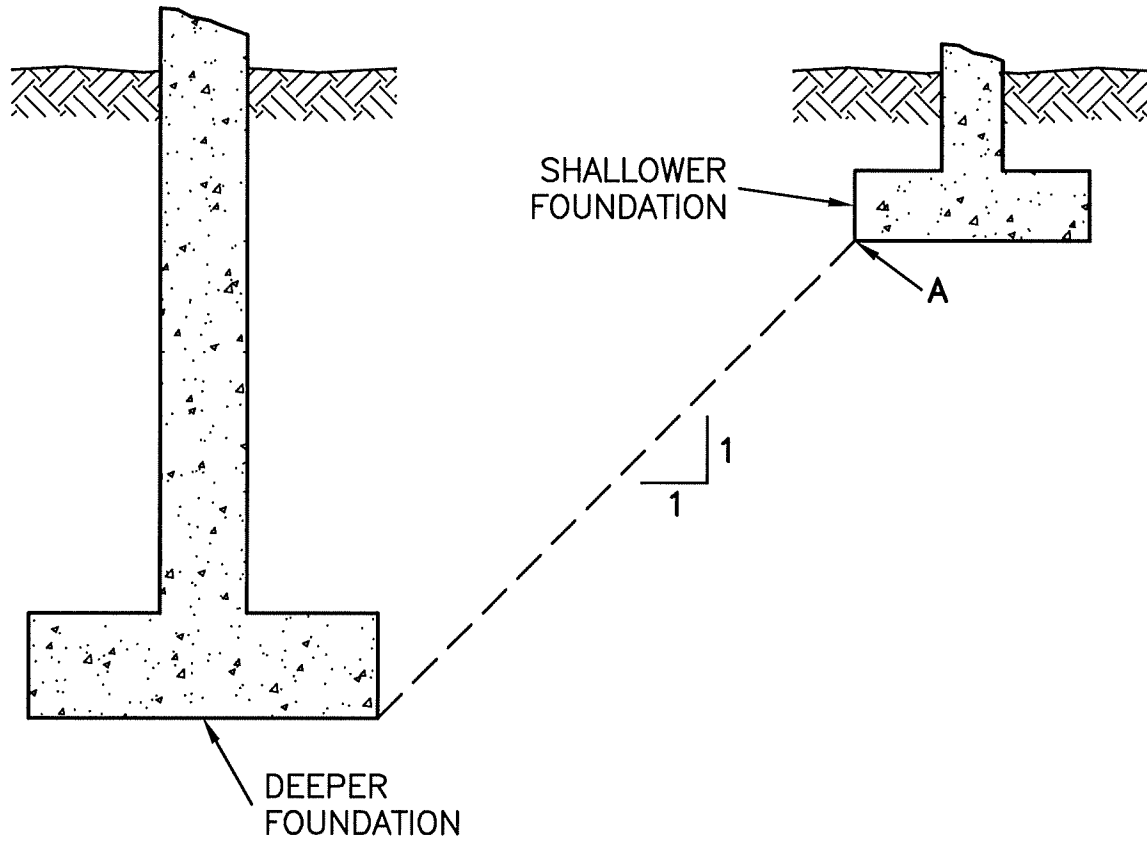
Scale
N.T.S

Date:
04/21/21



Rev No.
0

Figure No.
2



NOTE: POINT "A" OF SHALLOWER FOOTING MUST BE SITUATED BELOW THE DASHED LINE SHOWING THE FOOTING LOCATION LIMIT.

DESIGN ILLUSTRATION:

ADJACENT FOOTINGS



CBC
Engineers



**KOONTZ
BRYANT
JOHNSON
WILLIAMS** Company

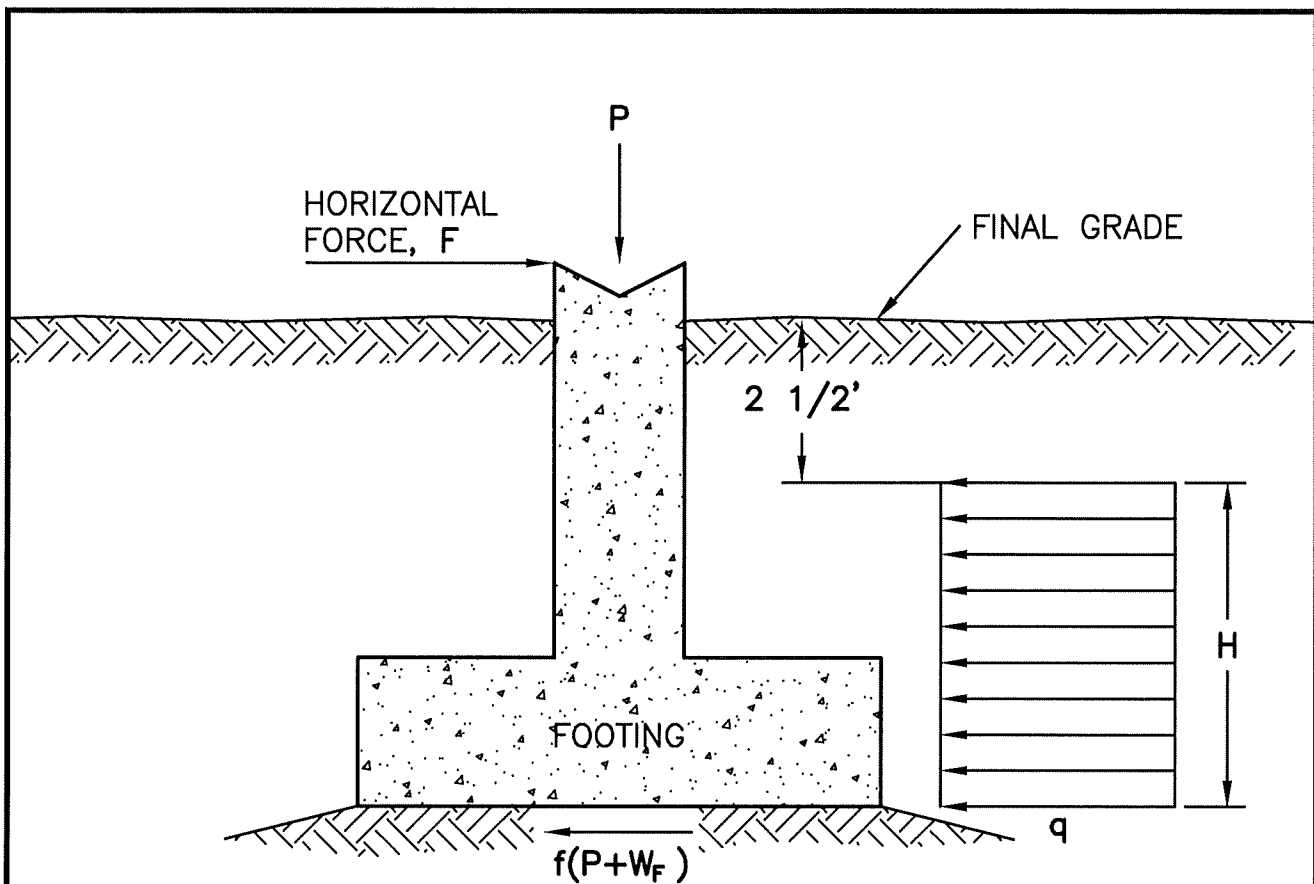
PROJECT NO:

SCALE:

FIGURE NO.

NONE

3



LEGEND:

P = MINIMUM DOWNWARD LOAD

f = COEFFICIENT OF FRICTION
AT CONCRETE/SOIL INTERFACE

F = MAXIMUM HORIZONTAL FORCE

W_F = WEIGHT OF FOOTING BELOW FINAL GRADE

q = RESISTING PASSIVE PRESSURE

DESIGN ILLUSTRATION:

RESISTING LATERAL FORCES FOR
SHALLOW FOOTINGS



CBC
Engineers



**KOONTZ
BRYANT
JOHNSON
WILLIAMS** Company

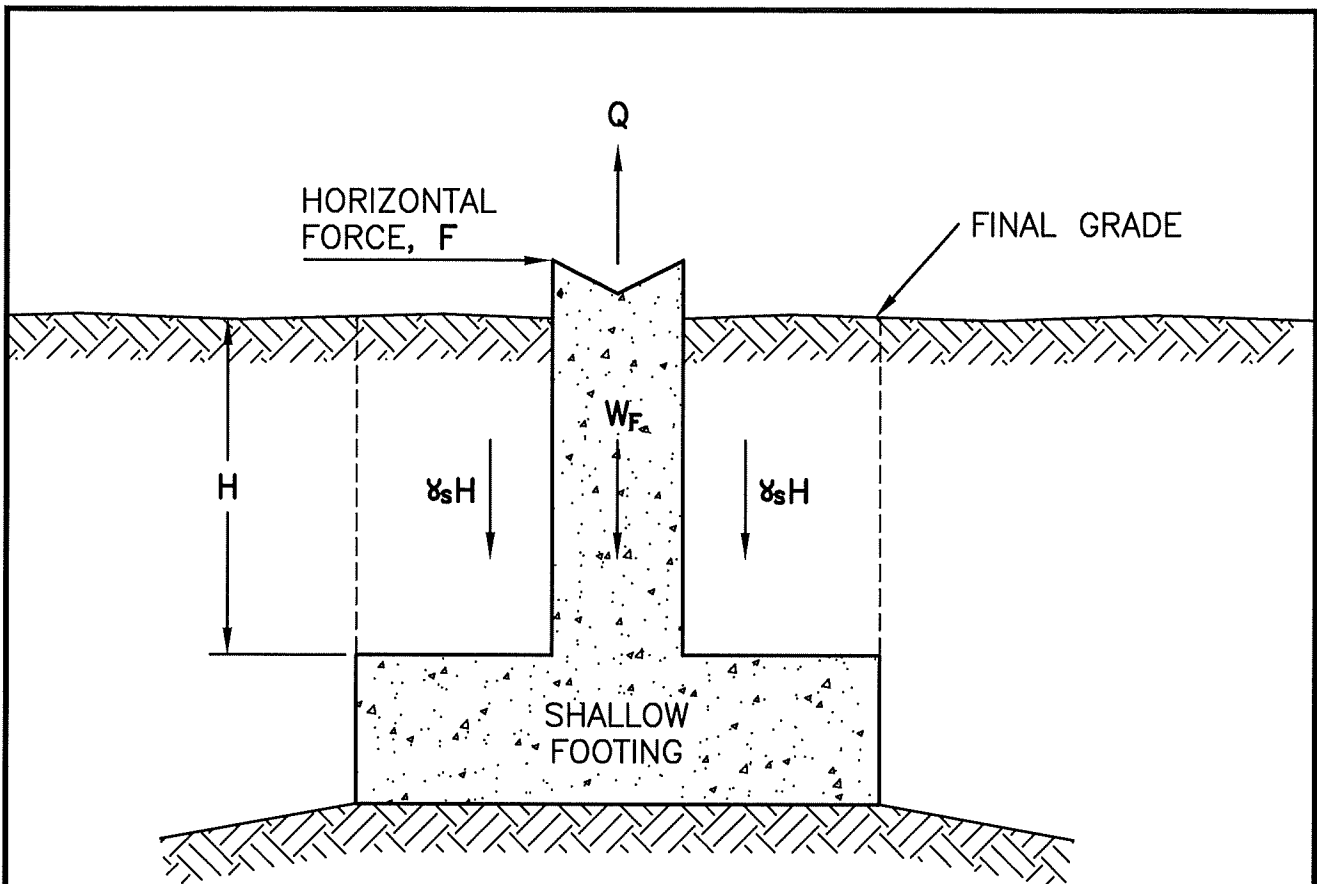
PROJECT NO:

SCALE:

FIGURE NO.

NONE

4



LEGEND:

Q = MAXIMUM UPLIFT LOAD

γ_s = TOTAL SOIL UNIT WEIGHT

W_f = WEIGHT OF FOOTING BELOW FINAL GRADE

DESIGN ILLUSTRATION:

RESISTING UPLIFT FORCES FOR SHALLOW FOOTINGS



CBC
Engineers



**KOONTZ
BRYANT
JOHNSON
WILLIAMS** Company

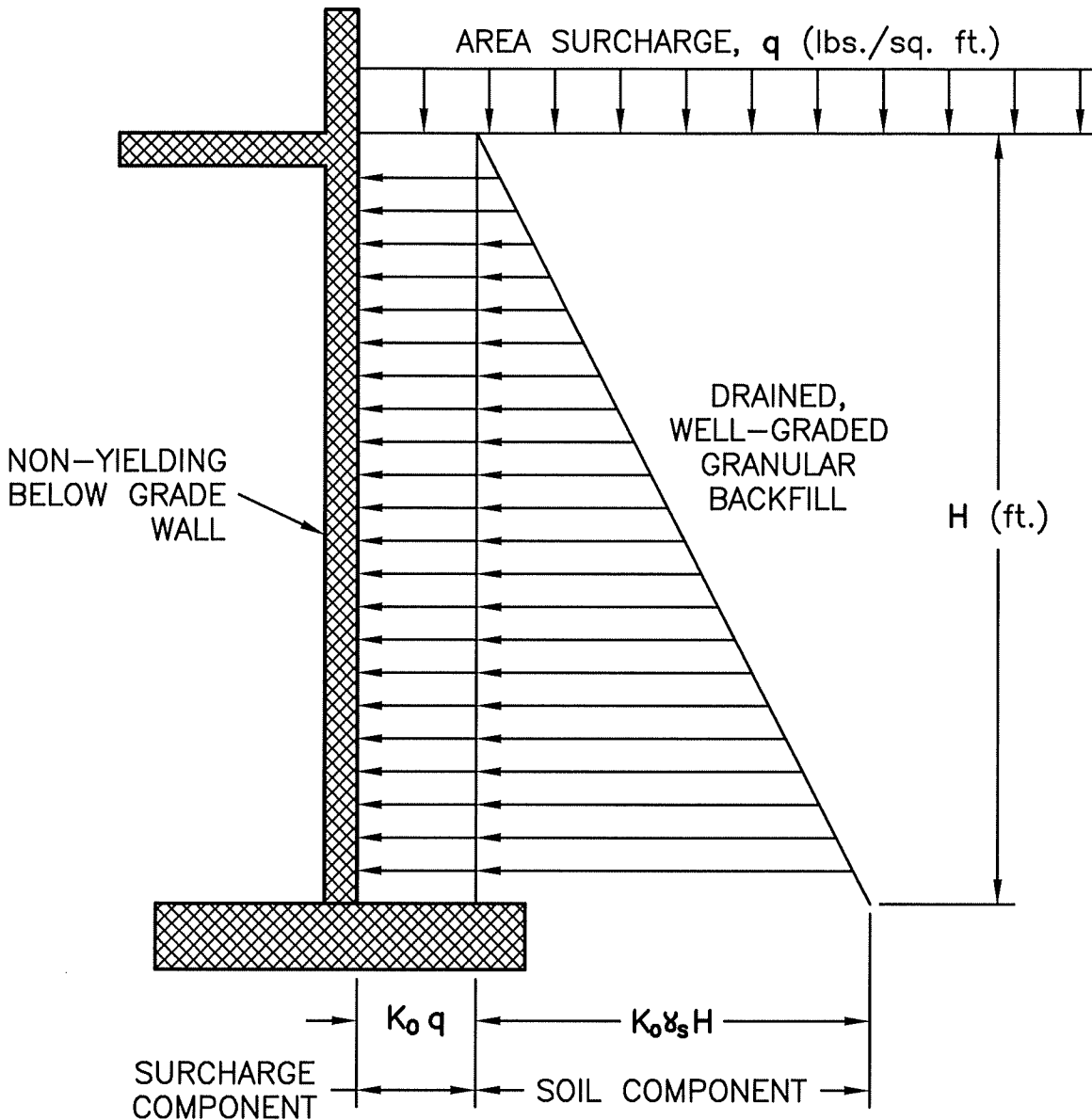
PROJECT NO:

SCALE:

FIGURE NO.

NONE

5



LEGEND:

γ_s = TOTAL SOIL UNIT WEIGHT, (lbs./cu. ft.)

K_0 = AT REST EARTH PRESSURE COEFFICIENT

DESIGN ILLUSTRATION:

LATERAL EARTH PRESSURE AGAINST NON-YIELDING BELOW-GRADE WALL ASSUMING DRAINED BACKFILL WITH NON-HYDROSTATIC PRESSURE



CBC
Engineers



KOONTZ BRYANT JOHNSON WILLIAMS
Company

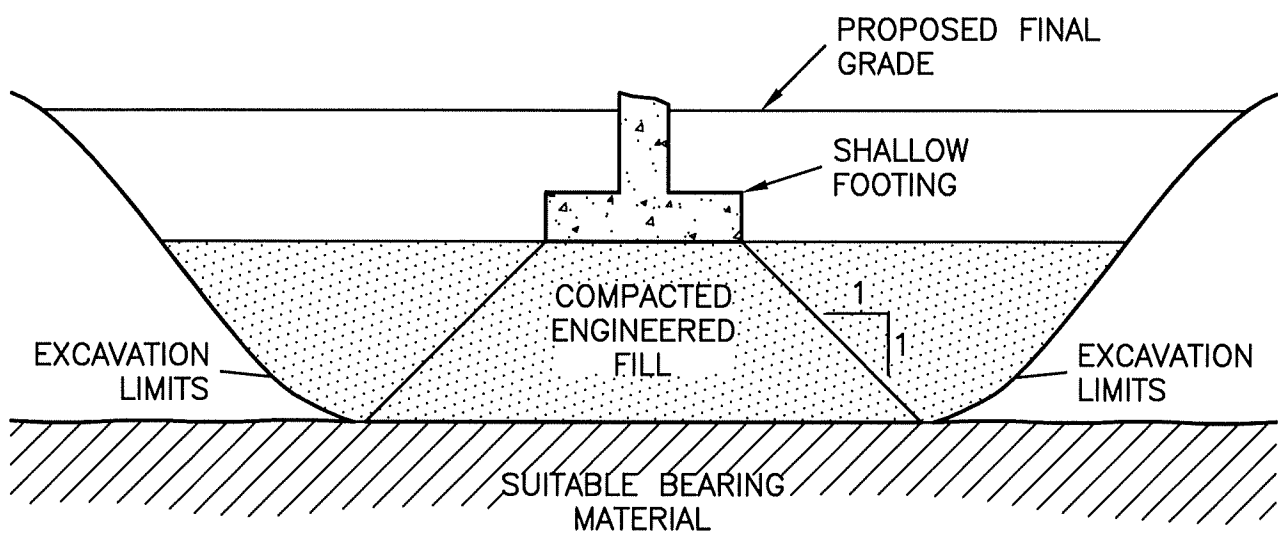
PROJECT NO:

SCALE:

FIGURE NO.

NONE

6



DESIGN ILLUSTRATION:

SHALLOW FOOTINGS IN AN UNDERCUT AREA



CBC
Engineers



**KOONTZ
BRYANT
JOHNSON
WILLIAMS** Company

PROJECT NO. 1

SCALE: 1

FIGURE NO.

NONE

7